

NOTES:

1. MATERIAL:

1.1 HOUSING: THERMOPLASTIC, HIGH TEMP.  
UL94V-0; LCP ;COLOR:BLACK.

1.2 CONTACT: COPPER ALLOY

2.FINISH:

2.1 CONTACT:

2:GOLD FLASH PLATED ON CONTACT  
AND GOLD FLASH PLATED ON SOLDER

50μ\*MIN. NICKEL UNDER PLATING

3.REFLOW SOLDER CAPABLE TO 260°C PER ACES SPEC.

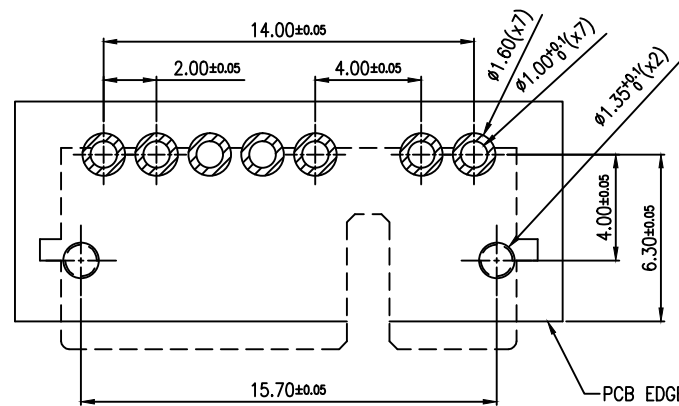
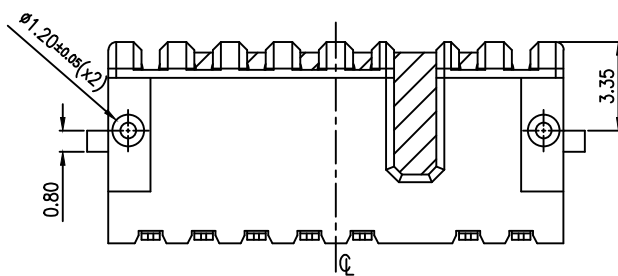
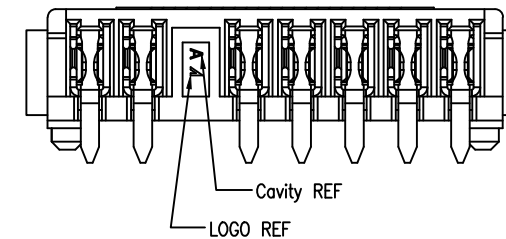
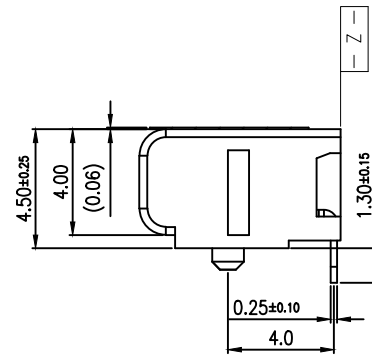
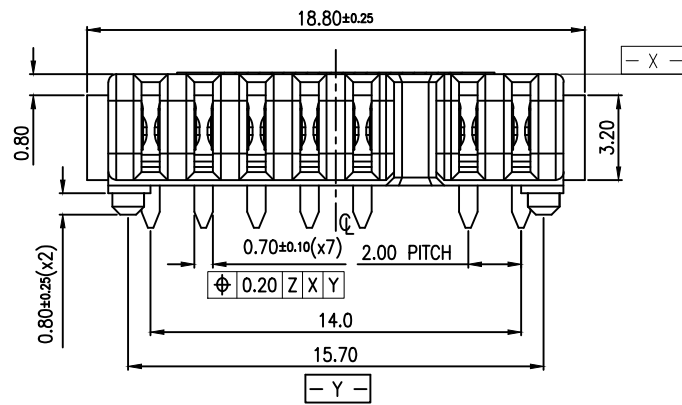
4. SPEC. PLS. REFER TO PS-54975-xxxxx-xxx

5. PACKAGE PLS. REFER TO 54975-xxxxx-xx-TRP

6. PART NUMBER:

54975-XXX X X X-XXX

NO OF CKT 007:7PIN	XXX 001	COLOR BLACK	Halogen Free HF	PACKING NO. 54975-xxxx-xx-TRP
PACKING 0: TAPE & REEL 4: TAPE & REEL WITH MYLAR	PLATING 2: GOLD FLASH PLATED ON CONTACT AND GOLD FLASH PLATED ON SOLDER			



RECOMMEND P.C.B. LAYOUT THICKNESS=1.00mm  
TOLERANCE:±0.05mm

一般公差 TOLERANCES X ±0.5 XX ±0.15 X ±0.25 .XXX ±0.1 ANGLES ±2°		宏致電子股份有限公司 Aces Electronics Co.,Ltd.	
檢驗尺寸標示 SYMBOLS Ⓢ Ⓣ INDICATE CLASSIFICATION DIMENSION Ⓢ MARK IS CRITICAL DIM. Ⓣ MARK IS MAJOR DIM.	品名 (TITLE) BATTERY CONN 2.00MM PITCH FEMALE R/A DIP TYPE	製圖 (DR) 22'/12/16 Zhang,xuqin	審核 (CHKD) BRAVE
表面處理 (FINISH)	圖號 (DWG NO.) 54975-XXXXX-XXX	核准 (APPD) BRAVE	張數 (SHEET) 1 OF 1
比例 (SCALE) 4:1	單位 (UNITS) mm	張數 (SHEET) 1 OF 1	尺寸 (SIZE) A4 REV B